

The information in this document is subject to change without notice and should not be construed as a commitment by ABB. ABB assumes no responsibility for any errors that may appear in this document.

Except as may be expressly stated anywhere in this document, nothing herein shall be construed as any kind of guarantee or warranty by ABB for losses, damages to persons or property, fitness for a specific purpose or the like.

In no event shall ABB be liable for incidental or consequential damages arising from use of this document.

This document and parts thereof must not be reproduced or copied without ABB's written permission, and contents thereof must not be imparted to a third party nor be used for any unauthorized purpose. Contravention will be prosecuted.

Additional copies of this document may be obtained from ABB at its then current charge.

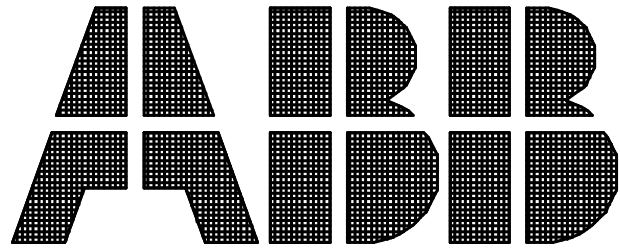
© Copyright 2022 ABB ALL right reserved.

ABB AB

SE-721 68 Västerås
Sweden

Latest revision: ECO 121999, WI 444847 PG 203, R1.ETHERNET: Changed to socket. PG 203, R2.ETHERNET: Changed to pins.		Lab/Office: RA/RDP	IRB6660 / IRC5	Status: APPROVED	Plant: = SP Location: + Sublocation: +
			COPYRIGHT PAGE	Document no. 3HAC029940-001	Rev. Ind 03
Prepared by, date: EM 220509	Approved by, date: ML, 220531		Type IRB6660-100/3.3 + 130/3.1 + 205/1.9		

We reserve all rights in this document and in the information contained therein. Reproduction, use or disclosure to third parties without express authority is strictly forbidden. © Copyright 2003 ABB



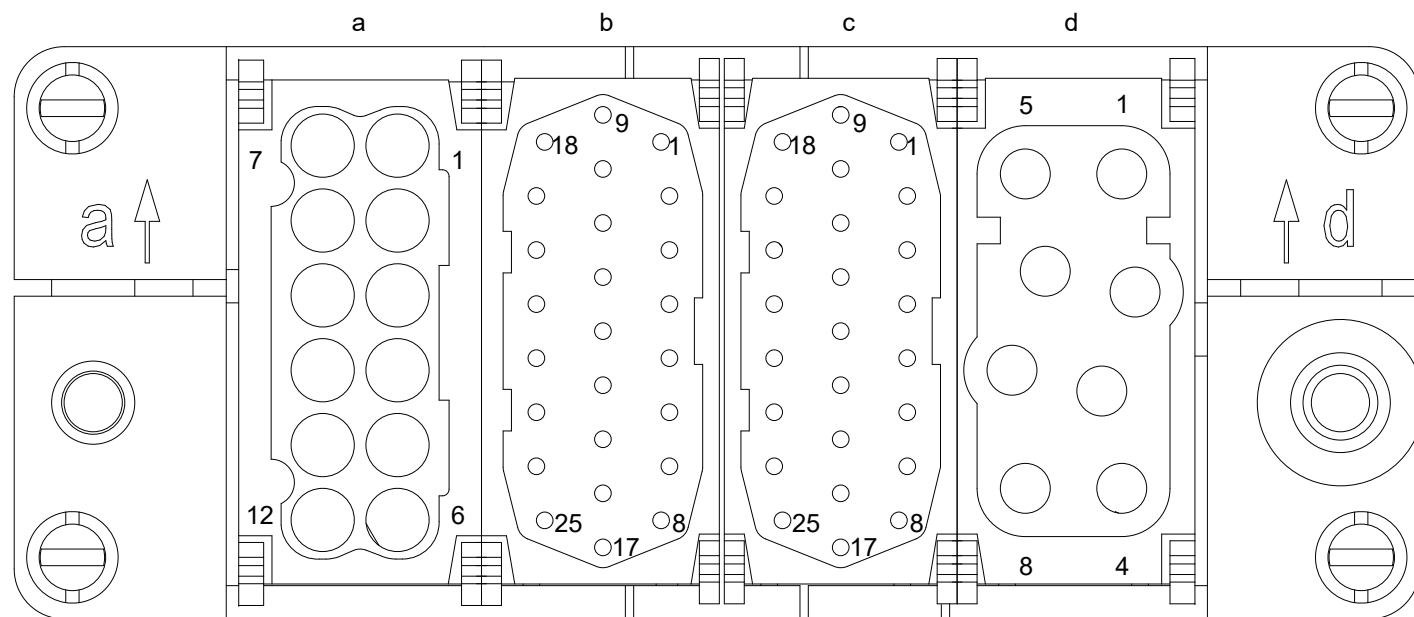
Customer :
 Robot serial number(s) : IRB6660 IRC5
 Drawing number : 3HAC029940-001
 Drawing version : DRESS PACK

Manufacture : 2007-11-07
 Type :
 Type of installation :
 Control cabinet :
 Mains voltage :
 Supply :
 Control voltage :
 Year of construction :

Project start : 2007-10-15
 Project manager :
 Last revision :
 Designed by : SEMITOT
 Designed date : 2007-11-07
 Number of pages : 12
 :

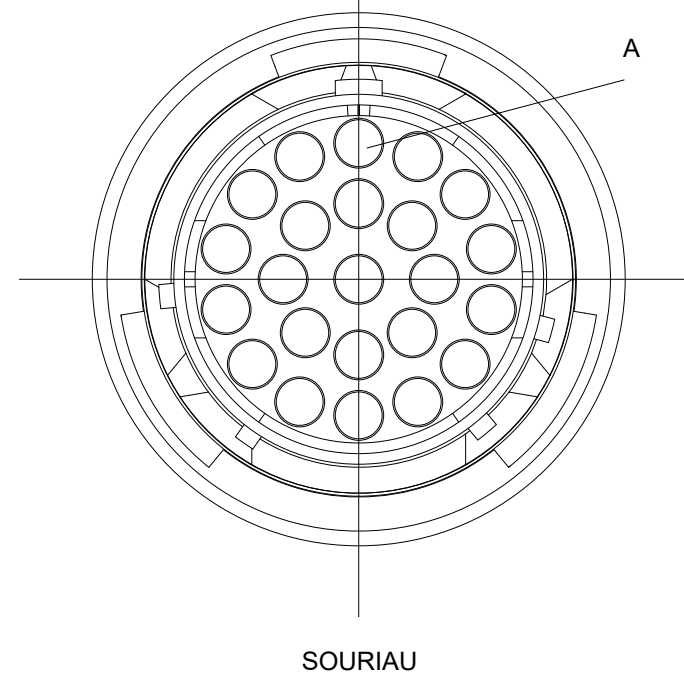
We reserve all rights in this document and in the information contained therein. Reproduction, use or disclosure to third parties without express authority is strictly forbidden. © Copyright 2003 ABB

Male (R1.CP/CS)



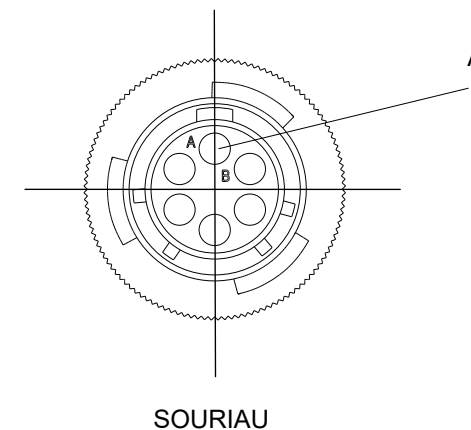
HARTING HAN MODULE/ DD HD HD EE

Female 23p (R1.SP)



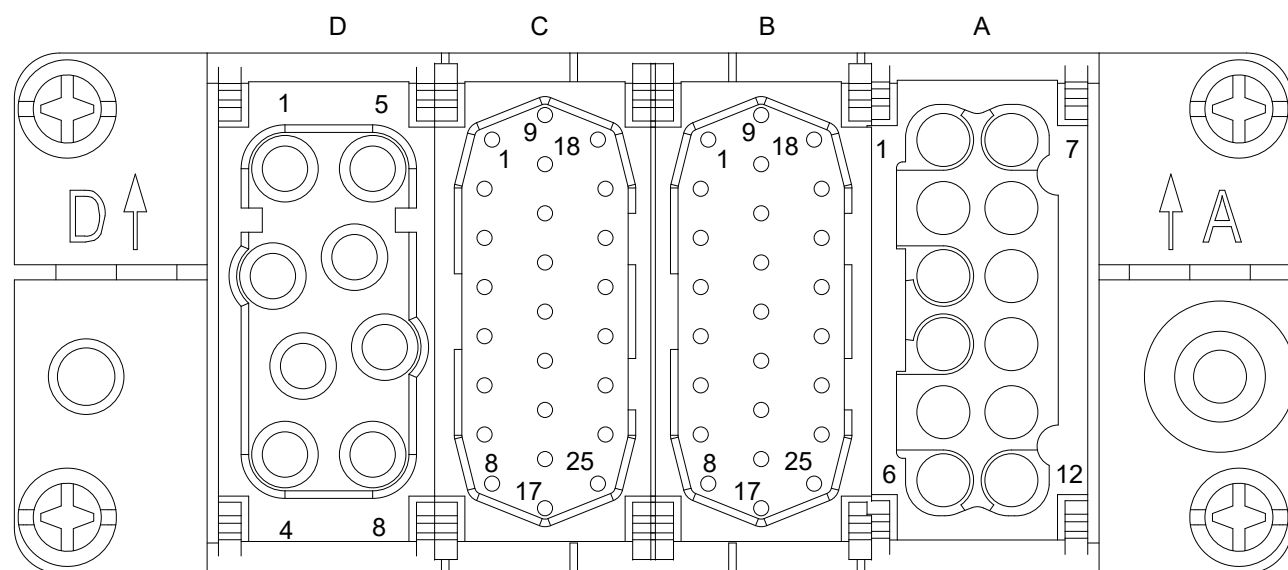
SOURIAU

Female 6p (R2.FB7)



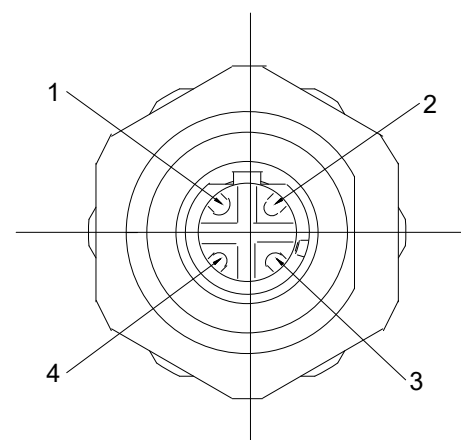
SOURIAU

Female (R2.CP/CS)

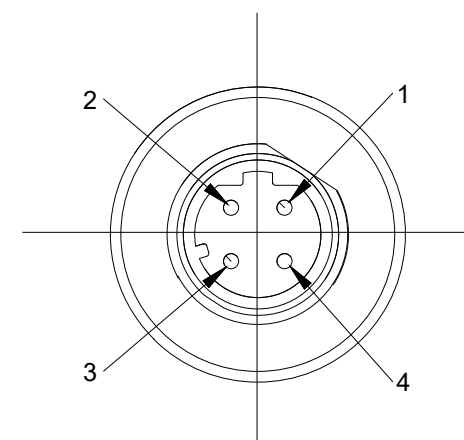


HARTING HAN MODULE/ EE HD HD DD

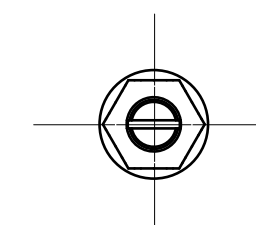
Female 4p R1.ETHERNET



Male 4p R2.ETHERNET



FUNCTIONAL EARTH



Latest revision: ECO 121999, WI 444847
PG 203, R1.ETHERNET: Changed to socket.
PG 203, R2.ETHERNET: Changed to pins.



Lab/Office:
RA/RDP

IRB6660 / IRC5

Status:
APPROVED

Plant: = SP
Location: + CON
Sublocation: +

Document no.
3HAC029940-001

Rev. Ind
03

Page 55
=DP+130.
Total 17

Prepared by, date: EM 220509 Approved by, date: ML, 220531

CONNECTOR LAYOUT
Type IRB6660-100/3.3 + 130/3.1 + 205/1.9

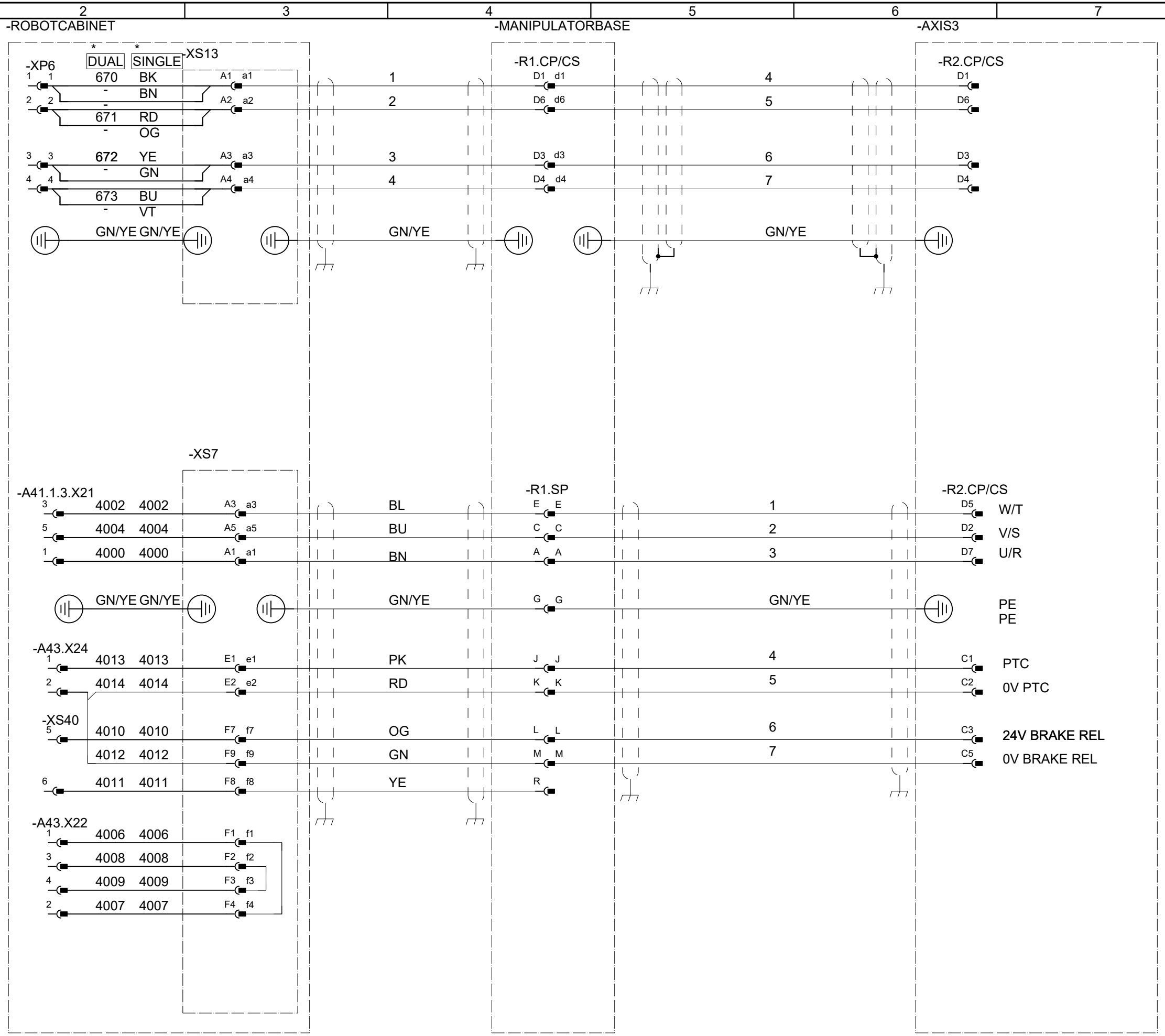
We reserve all rights in this document and in the information contained therein. Reproduction, use or disclosure to third parties without express authority is strictly forbidden. © Copyright 2003 ABB

We reserve all rights in this document and in the information contained therein. Reproduction, use or disclosure to third parties without express authority is strictly forbidden. © Copyright 2003 ABB

TYPE SE
 CUSTOMER SIGNALS
 CANBUS
 COMMUNICATION
 VALID FOR
 HARNESS IN CABINET
 3HAC022852-001 (Dual)
 3HAC024371-001 (Single)
 3HAC021791-001
 3HAC022866-001
 FLOOR HARNESS
 3HAC022978-001,002,003,006
 3HEA800736-001,002,003,004

IRB6660
 LOWER ARM HARNESS
 3HAC027104-001

* Circuitdiagram shows marking on wires for both dual and single cabinet



Latest revision: ECO 121999, WI 444847
 PG 203, R1.ETHERNET: Changed to socket.
 PG 203, R2.ETHERNET: Changed to pins.

Prepared by, date: EM 220509
 Approved by, date: ML, 220531



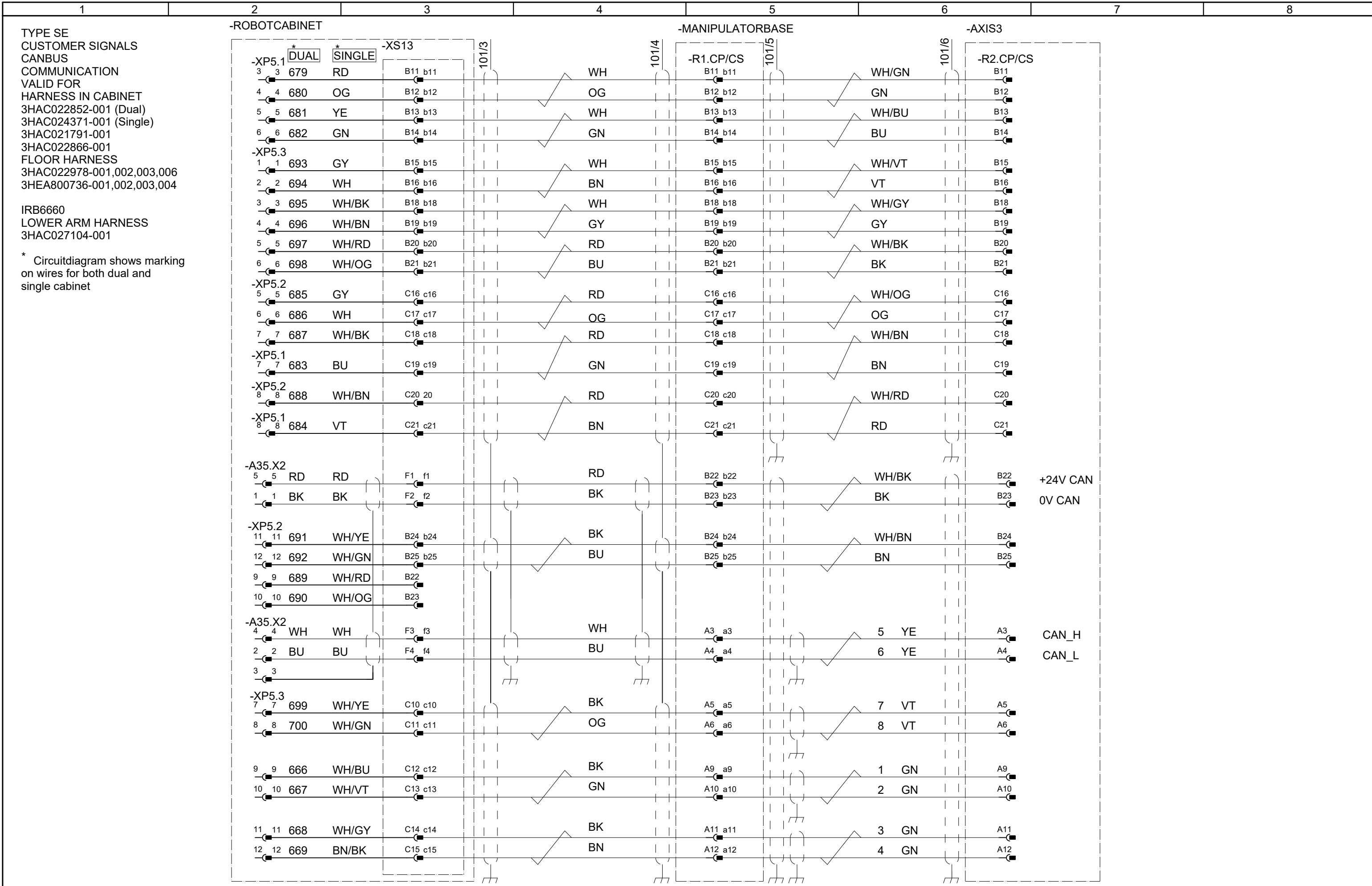
IRB6660 / IRC5
 CUSTOMER SIGNALS, CANBUS
 Type IRB6660-100/3.3 + 130/3.1

Status: APPROVED
 Document no. 3HAC029940-001

Plant: = DP
 Location: + 130
 Sublocation: + AX3

Rev. Ind 03
 Page 100
 101
 Total 17

We reserve all rights in this document and in the information contained therein. Reproduction, use or disclosure to third parties without express authority is strictly forbidden. © Copyright 2003 ABB



TYPE SE
CUSTOMER SIGNALS
CANBUS
COMMUNICATION
VALID FOR
HARNESS IN CABINET
3HAC022852-001 (Dual)
3HAC024371-001 (Single)
3HAC021791-001
3HAC022866-001
FLOOR HARNESS
3HAC022978-001,002,003,006
3HEA800736-001,002,003,004

IRB6660
LOWER ARM HARNESS
3HAC027104-001

* Circuitdiagram shows marking
on wires for both dual and
single cabinet

Latest revision: ECO 121999, WI 444847
PG 203, R1.ETHERNET: Changed to socket.
PG 203, R2.ETHERNET: Changed to pins.

Prepared by, date: EM 220509 Approved by, date: ML, 220531

ABB Lab/Office:
RA/RDP

IRB6660 / IRC5
CUSTOMER SIGNALS, CANBUS
Type IRB6660-100/3.3 + 130/3.1

Status: **APPROVED**
Document no. 3HAC029940-001

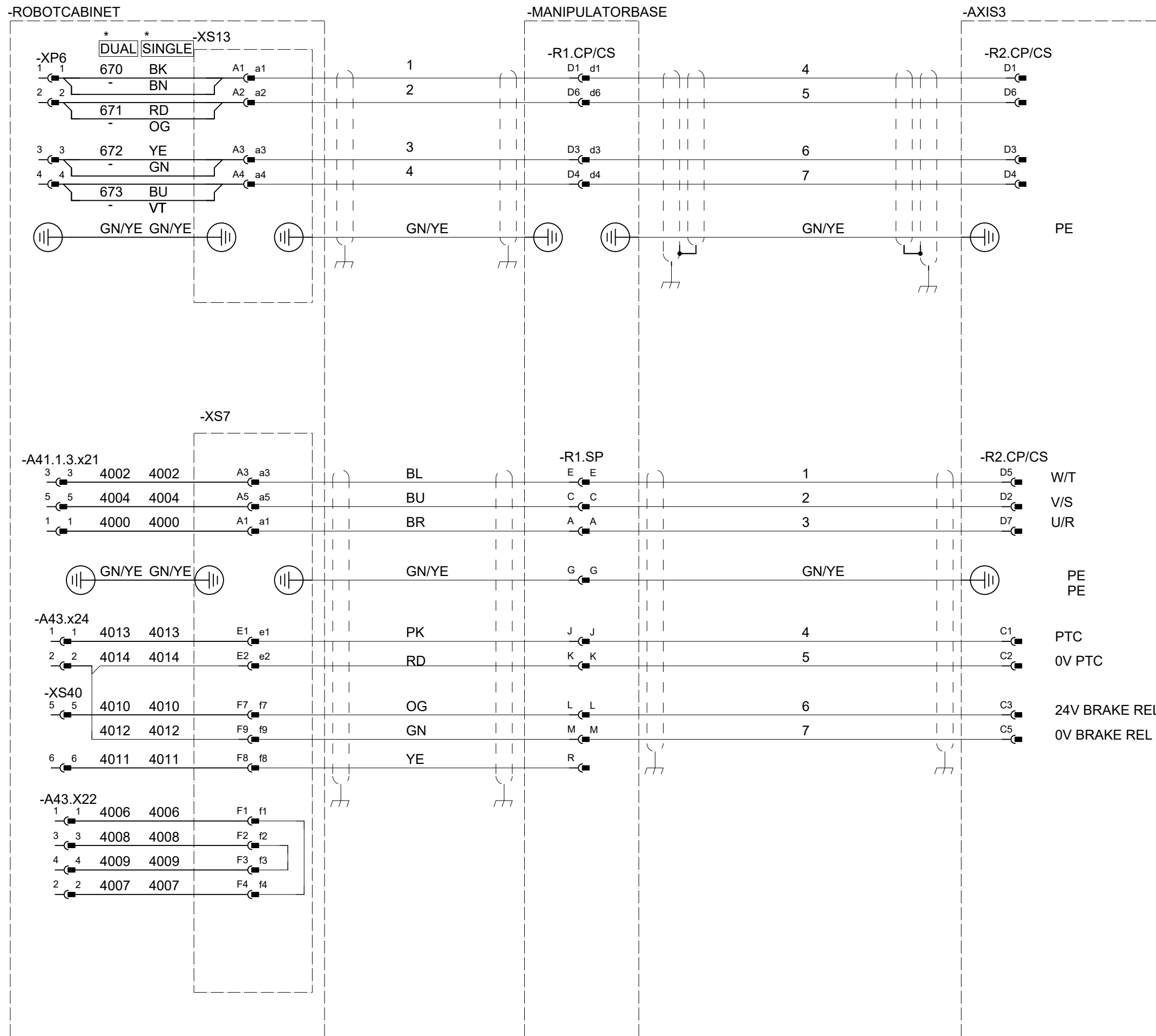
Plant: = DP
Location: + 130
Sublocation: + AX3

Rev. Ind **03** Page 102
103
Total 17

TYPE SE
 CUSTOMER SIGNALS
 PROFIBUS
 COMMUNICATION
 VALID FOR
 HARNESS IN CABINET
 3HAC022852-001 (Dual)
 3HAC024371-001 (Single)
 3HAC021791-001
 3HAC022868-001
 FLOOR HARNESS
 3HAC022988-001,002,003,006
 3HEA800736-001,002,003,004

IRB6660
 LOWER ARM HARNESS
 3HAC027104-001

* Circuitdiagram shows marking on wires for both dual and single cabinet



Latest revision: ECO 121999, WI 444847
 PG 203, R1.ETHERNET: Changed to socket.
 PG 203, R2.ETHERNET: Changed to pins.

Prepared by, date: EM 220509 Approved by, date: ML, 220531



Lab/Office:
 RA/RDP

IRB6660 / IRC5
 CUSTOMER SIGNALS, PROFIBUS
 Type IRB6660-100/3.3 + 130/3.1

Status:
APPROVED

Document no.
 3HAC029940-001

Plant: = DP
 Location: + 130
 Sublocation: + AX3

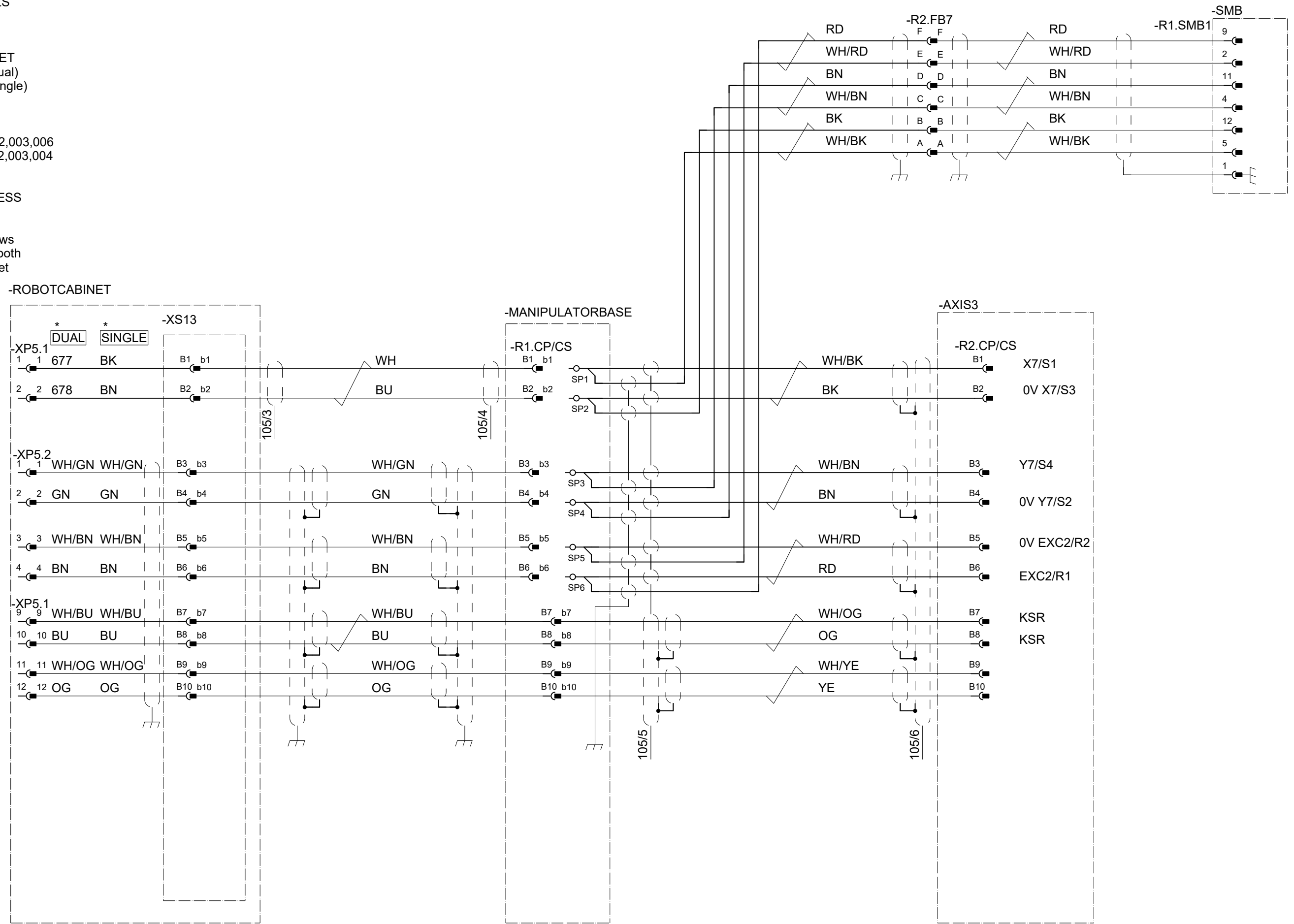
Rev. Ind Page 103
03 104
 Total 17

We reserve all rights in this document and in the information contained therein. Reproduction, use or disclosure to third parties without express authority is strictly forbidden. © Copyright 2003 ABB

TYPE SE
 CUSTOMER SIGNALS
 PROFIBUS
 COMMUNICATION
 VALID FOR
 HARNESS IN CABINET
 3HAC022852-001 (Dual)
 3HAC024371-001 (Single)
 3HAC021791-001
 3HAC022868-001
 FLOOR HARNESS
 3HAC022988-001,002,003,006
 3HEA800736-001,002,003,004

IRB6660
 LOWER ARM HARNESS
 3HAC027104-001

* Circuitdiagram shows
 marking on wires for both
 dual and single cabinet



Latest revision: ECO 121999, WI 444847
 PG 203, R1.ETHERNET: Changed to socket.
 PG 203, R2.ETHERNET: Changed to pins.



Lab/Office:
 RA/RDP

IRB6660 / IRC5
 CUSTOMER SIGNALS, PROFIBUS
 Type IRB6660-100/3.3 + 130/3.1

Status:
APPROVED
 Document no.

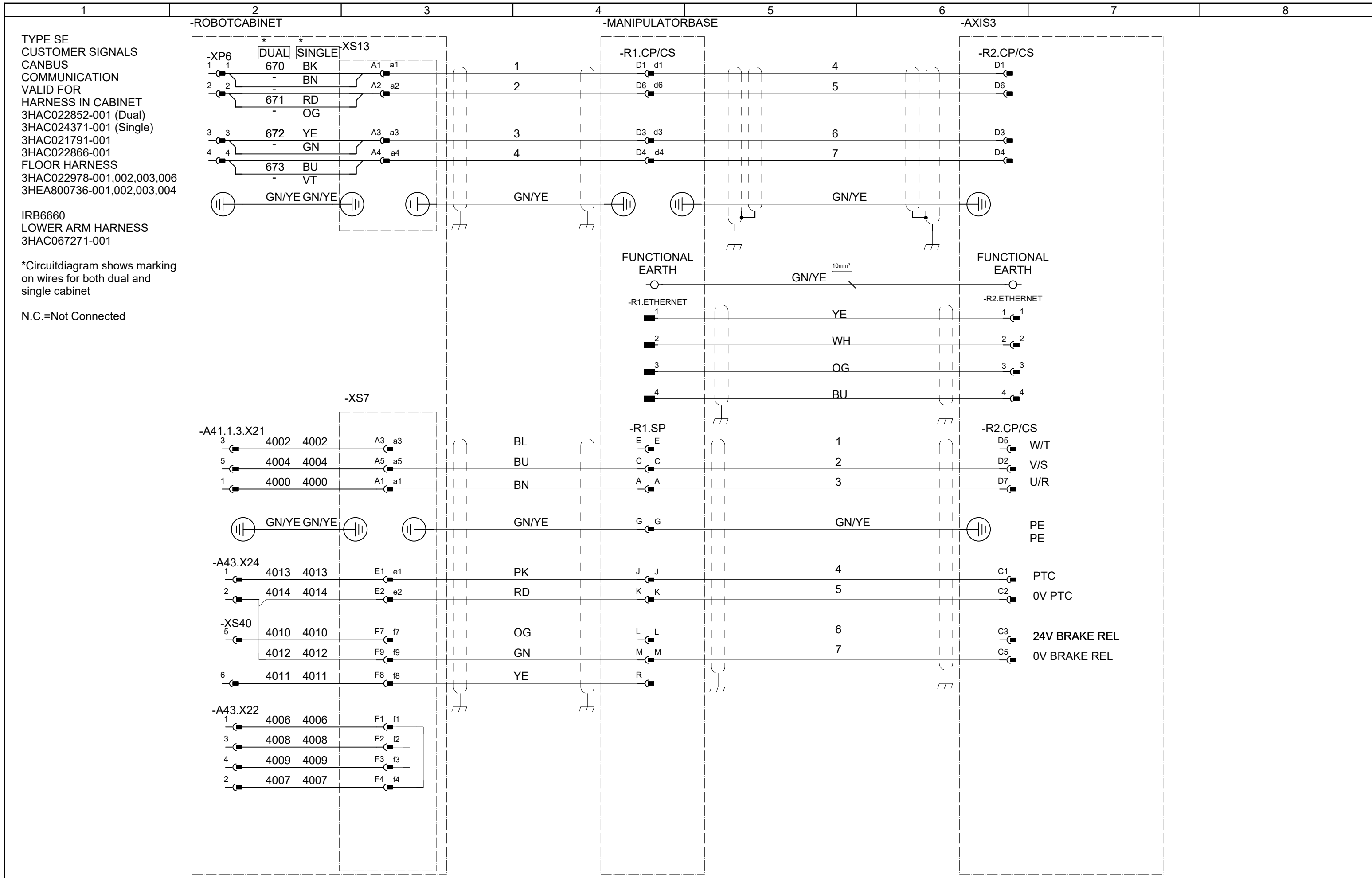
Plant: = DP
 Location: + 130
 Sublocation: + AX3

Prepared by, date: EM 220509 Approved by, date: ML, 220531

Rev. Ind Page 104
03 105
 Total 17

We reserve all rights in this document and in the information contained therein. Reproduction, use or disclosure to third parties without express authority is strictly forbidden. © Copyright 2003 ABB

We reserve all rights in this document and in the information contained therein. Reproduction, use or disclosure to third parties without express authority is strictly forbidden. © Copyright 2003 ABB



TYPE SE
 CUSTOMER SIGNALS
 CANBUS
 COMMUNICATION
 VALID FOR
 HARNESS IN CABINET
 3HAC022852-001 (Dual)
 3HAC024371-001 (Single)
 3HAC021791-001
 3HAC022866-001
 FLOOR HARNESS
 3HAC022978-001,002,003,006
 3HEA800736-001,002,003,004

IRB6660
 LOWER ARM HARNESS
 3HAC067271-001

*Circuitdiagram shows marking on wires for both dual and single cabinet

N.C.=Not Connected

Latest revision: ECO 121999, WI 444847
 PG 203, R1.ETHERNET: Changed to socket.
 PG 203, R2.ETHERNET: Changed to pins.

Prepared by, date: EM 220509 Approved by, date: ML, 220531



Lab/Office:
 RA/RDP

IRB6660 / IRC5
 CUSTOMER SIGNALS, PARAMULTI
 Type IRB6660-100/3.3 + 130/3.1

Status:
APPROVED

Document no.
 3HAC029940-001

Plant: = DP
 Location: + 130
 Sublocation: + AX3

Rev. Ind Page 106
03 107
 Total 17

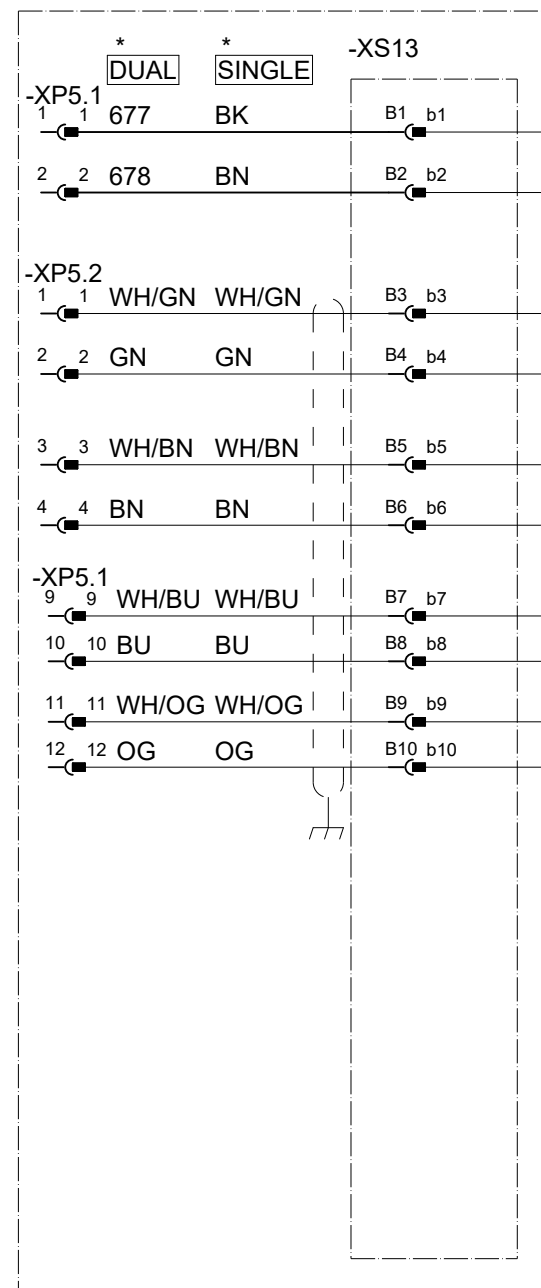
TYPE SE
 CUSTOMER SIGNALS
 CANBUS
 COMMUNICATION
 VALID FOR
 HARNESS IN CABINET
 3HAC022852-001 (Dual)
 3HAC024371-001 (Single)
 3HAC021791-001
 3HAC022866-001
 FLOOR HARNESS
 3HAC022978-001,002,003,006
 3HEA800736-001,002,003,004

IRB6660
 LOWER ARM HARNESS
 3HAC067271-001

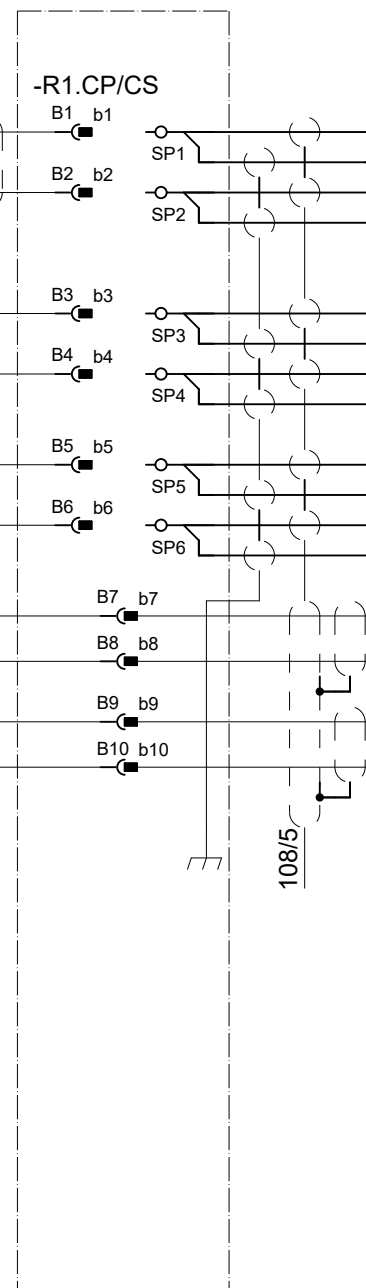
*Circuitdiagram shows
 marking on wires for both
 dual and single cabinet

N.C.=Not Connected

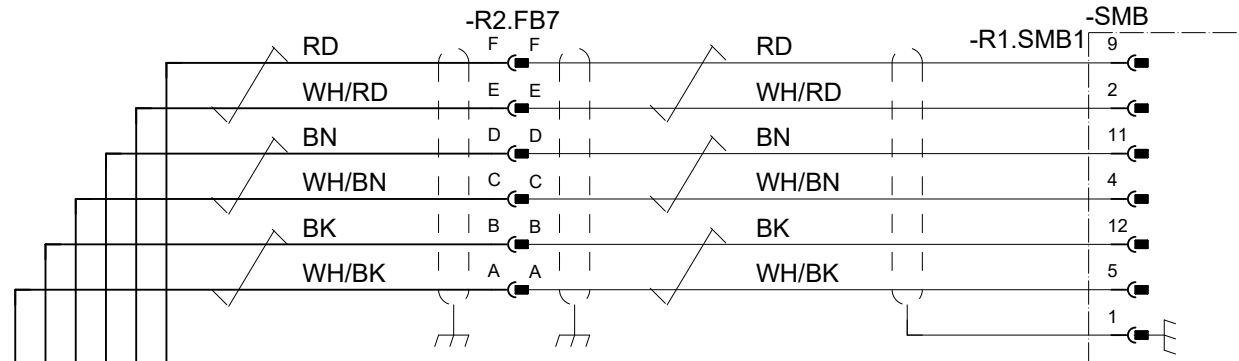
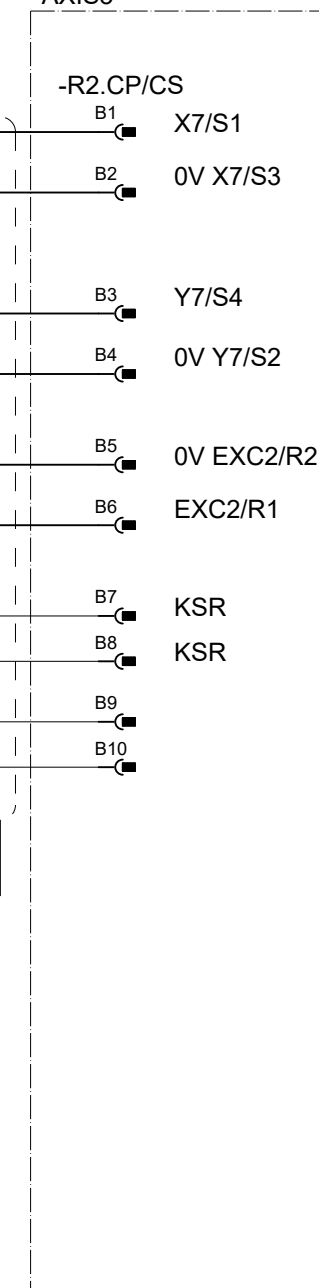
-ROBOTCABINET



-MANIPULATORBASE



-AXIS3



Latest revision: ECO 121999, WI 444847
 PG 203, R1.ETHERNET: Changed to socket.
 PG 203, R2.ETHERNET: Changed to pins.

Prepared by, date: EM 220509 Approved by, date: ML, 220531



Lab/Office:
 RA/RDP

IRB6660 / IRC5
 CUSTOMER SIGNALS, PARAMULTI
 Type IRB6660-100/3.3 + 130/3.1

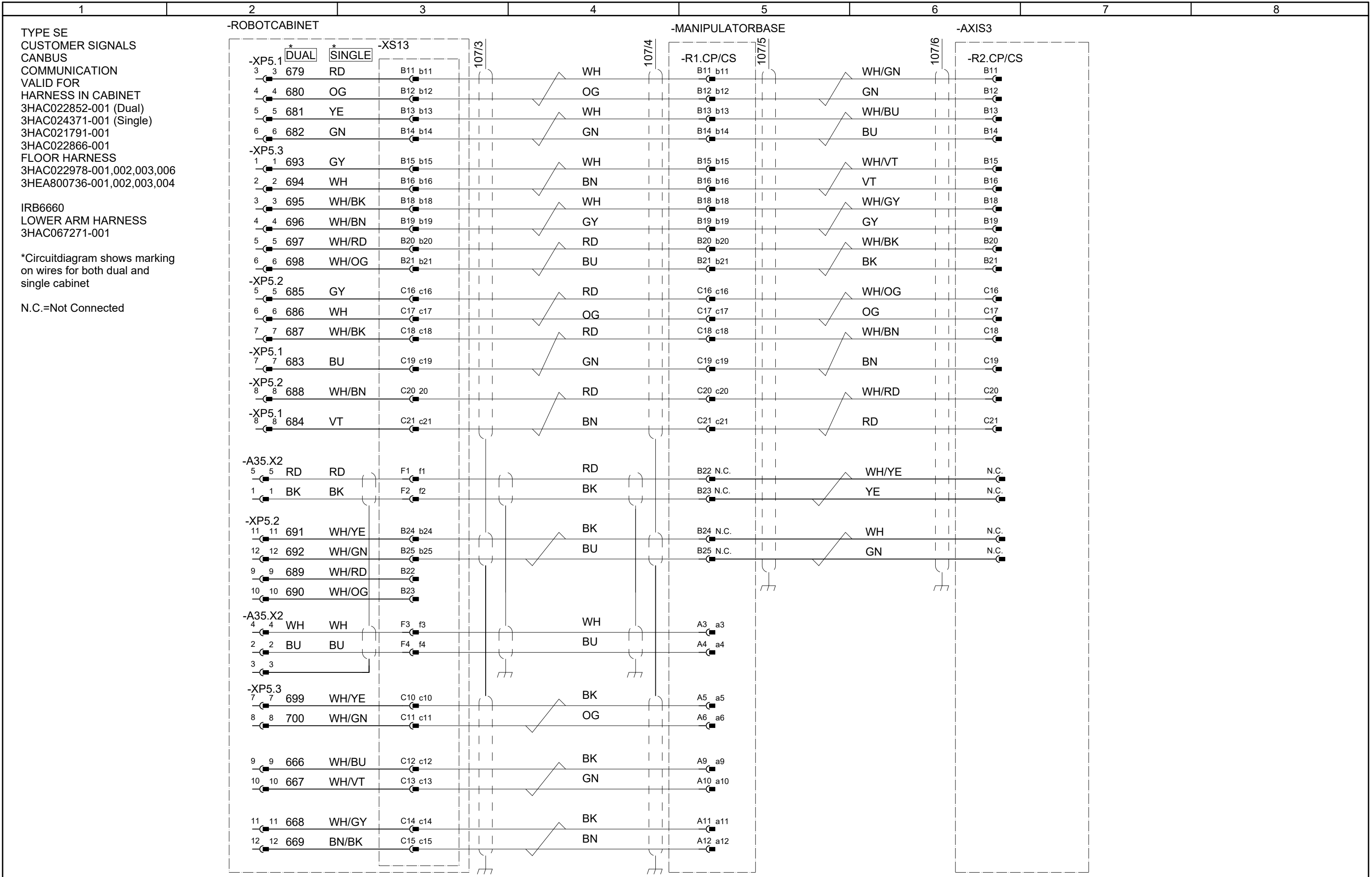
Status:
APPROVED
 Document no.
 3HAC029940-001

Plant: = DP
 Location: + 130
 Sublocation: + AX3

Rev. Ind
03
 Page 107
 108
 Total 17

We reserve all rights in this document and in the information contained therein. Reproduction, use or disclosure to third parties without express authority is strictly forbidden. © Copyright 2003 ABB

We reserve all rights in this document and in the information contained therein. Reproduction, use or disclosure to third parties without express authority is strictly forbidden. © Copyright 2003 ABB



Latest revision: ECO 121999, WI 444847
 PG 203, R1.ETHERNET: Changed to socket.
 PG 203, R2.ETHERNET: Changed to pins.

Prepared by, date: EM 220509
 Approved by, date: ML, 220531



Lab/Office: RA/RDP
 IRB6660 / IRC5
 CUSTOMER SIGNALS, PARAMULTI
 Type IRB6660-100/3.3 + 130/3.1

Status: APPROVED
 Document no. 3HAC029940-001
 Plant: = DP
 Location: + 130
 Sublocation: + AX3
 Rev. Ind 03
 Page 108
 Total 17

We reserve all rights in this document and in the information contained therein. Reproduction, use or disclosure to third parties without express authority is strictly forbidden. © Copyright 2003 ABB

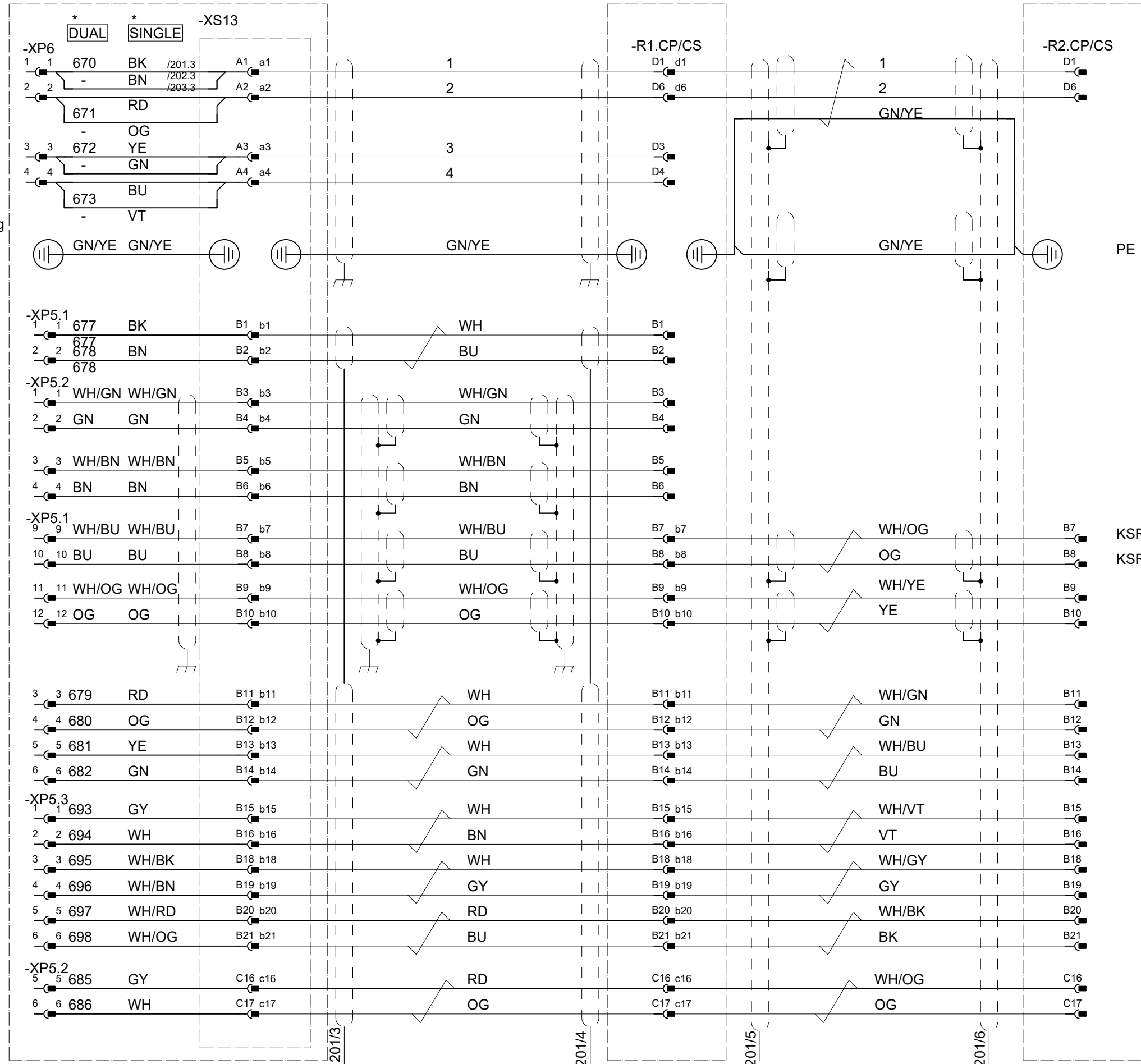
TYPE S
 CUSTOMER SIGNALS
 PARALLEL
 COMMUNICATION
 VALID FOR
 HARNESS IN CABINET
 3HAC022852-001 (Dual)
 3HAC024371-001 (Single)
 FLOOR HARNESS
 3HAC022957-001,002,003,006
 LOWER ARM HARNESS
 3HAC029575-001

* Circuitdiagram shows marking on wires for both dual and single cabinet

-ROBOTCABINET

-MANIPULATORBASE

-AXIS3



Latest revision: ECO 121999, WI 444847
 PG 203, R1.ETHERNET: Changed to socket.
 PG 203, R2.ETHERNET: Changed to pins.

Prepared by, date: EM 220509 Approved by, date: ML, 220531



Lab/Office:
RA/RDP

IRB6660 / IRC5
 CUSTOMER SIGNALS, PARALLEL
 Type IRB6660-205/1.9

Status:
APPROVED

Document no.
 3HAC029940-001

Plant: = DP
 Location: + 205
 Sublocation: + AX3

Rev. Ind Page 200
03 201
 Total 17

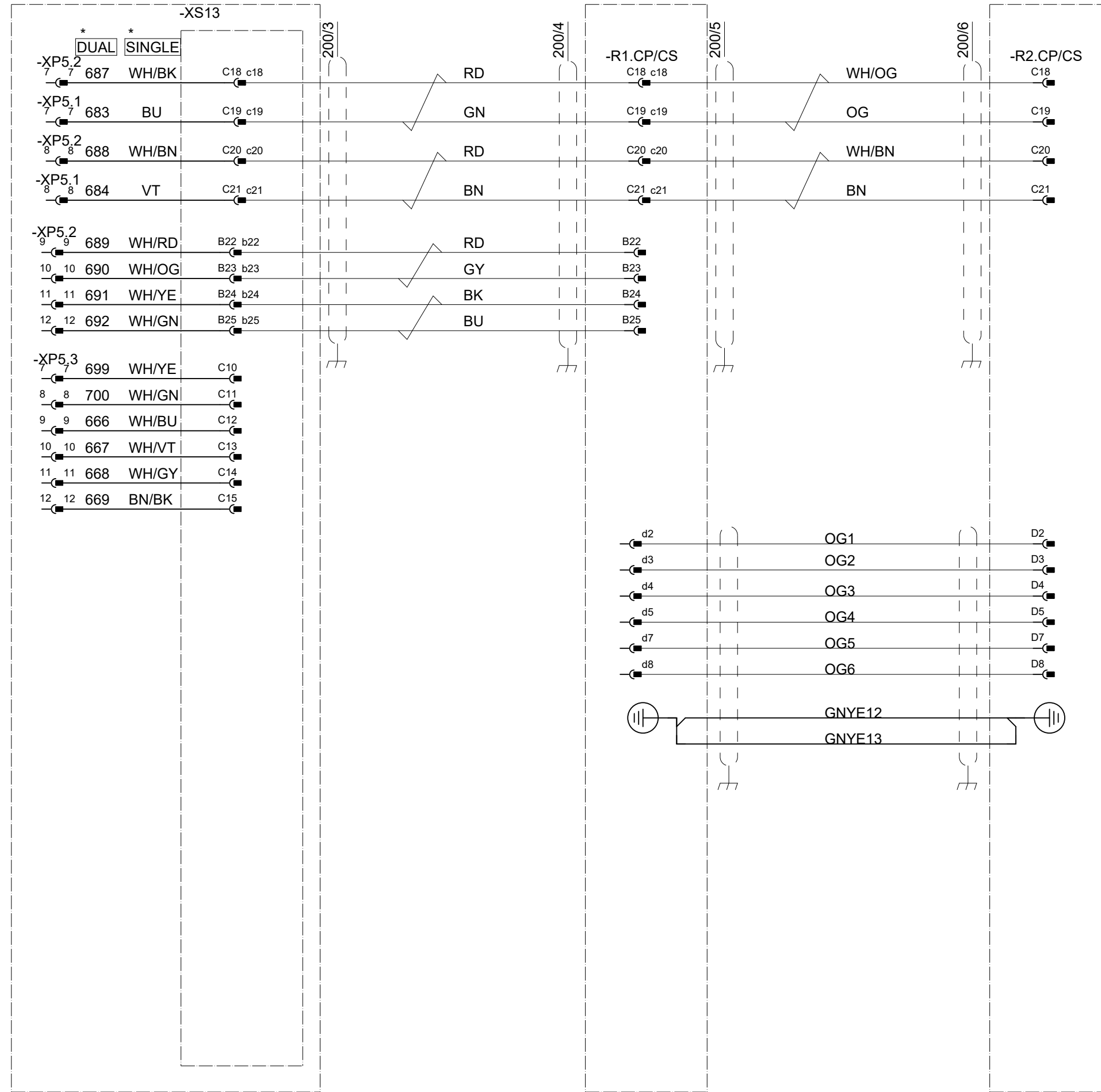
-ROBOTCABINET

-MANIPULATORBASE

-AXIS3

LOWER ARM HARNESS
3HAC029575-001

* Circuitdiagram shows marking on wires for both dual and single cabinet



We reserve all rights in this document and in the information contained therein. Reproduction, use or disclosure to third parties without express authority is strictly forbidden. © Copyright 2003 ABB

Latest revision: ECO 121999, WI 444847
PG 203, R1.ETHERNET: Changed to socket.
PG 203, R2.ETHERNET: Changed to pins.

Prepared by, date: EM 220509 Approved by, date: ML, 220531



Lab/Office:
RA/RDP

IRB6660 / IRC5
CUSTOMER SIGNALS, PARALLEL
Type IRB6660-205/1.9

Status: **APPROVED**
Document no. 3HAC029940-001

Plant: = DP
Location: + 205
Sublocation: + AX3

Rev. Ind **03** Page 201
Total 17

We reserve all rights in this document and in the information contained therein. Reproduction, use or disclosure to third parties without express authority is strictly forbidden. © Copyright 2003 ABB

TYPE S
 CUSTOMER SIGNALS
 PARALLEL
 COMMUNICATION
 VALID FOR
 HARNESS IN CABINET
 3HAC022852-001 (Dual)
 3HAC024371-001 (Single)
 FLOOR HARNESS
 3HAC022957-001,002,003,006
 LOWER ARM HARNESS
 3HAC067277-001

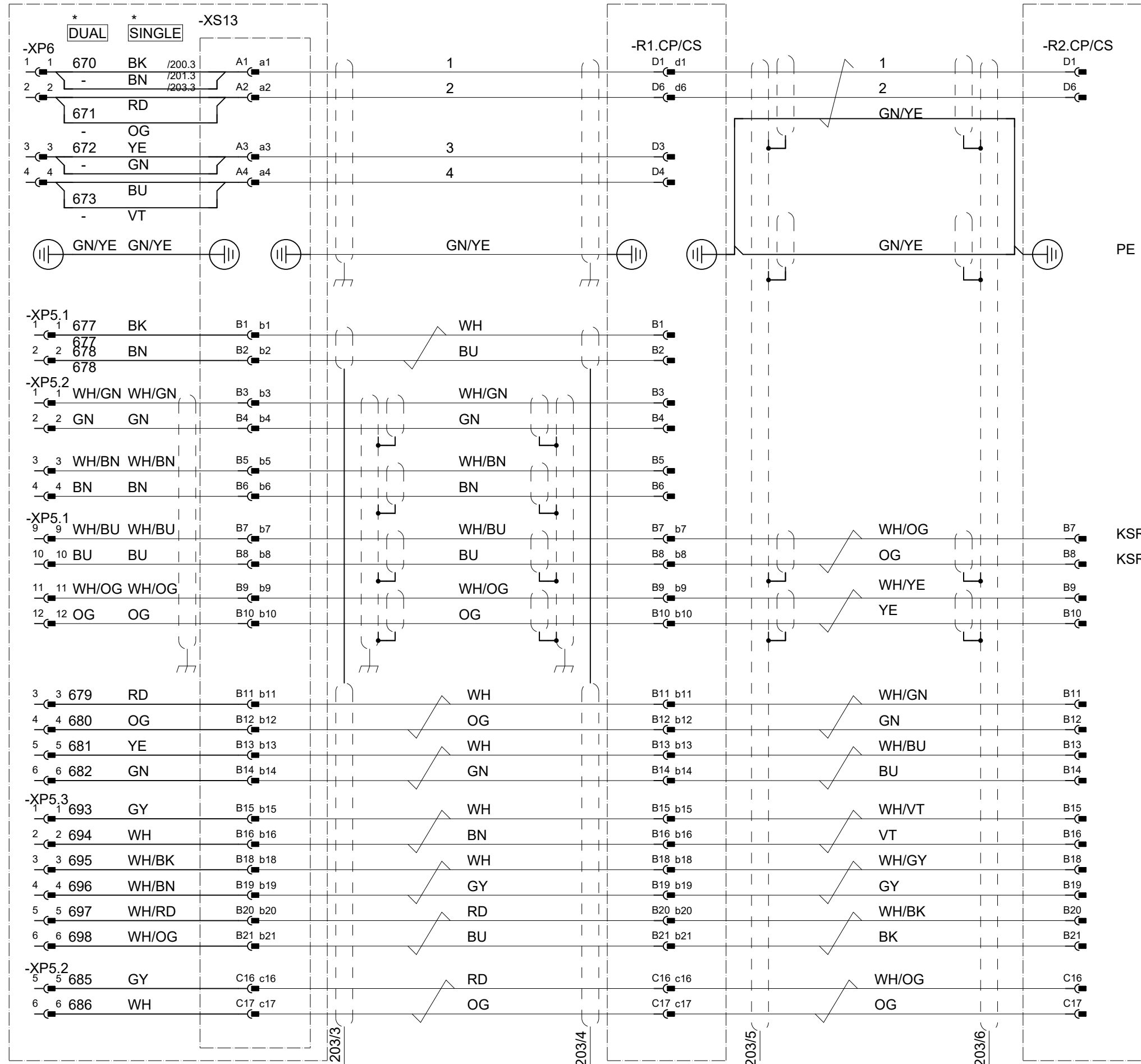
*Circuit diagram shows marking on wires for both dual and single cabinet

N.C.=Not Connected

-ROBOTCABINET

-MANIPULATORBASE

-AXIS3



Latest revision: ECO 121999, WI 444847
 PG 203, R1.ETHERNET: Changed to socket.
 PG 203, R2.ETHERNET: Changed to pins.

Prepared by, date: EM 220509 Approved by, date: ML, 220531



Lab/Office:
RA/RDP

IRB6660 / IRC5
 CUSTOMER SIGNALS, PARAMULTI
 Type IRB6660-205/1.9

Status:
APPROVED
 Document no.

3HAC029940-001

Plant: = DP
 Location: + 205
 Sublocation: + AX3

Rev. Ind Page 202
03 203
 Total 17

-ROBOTCABINET

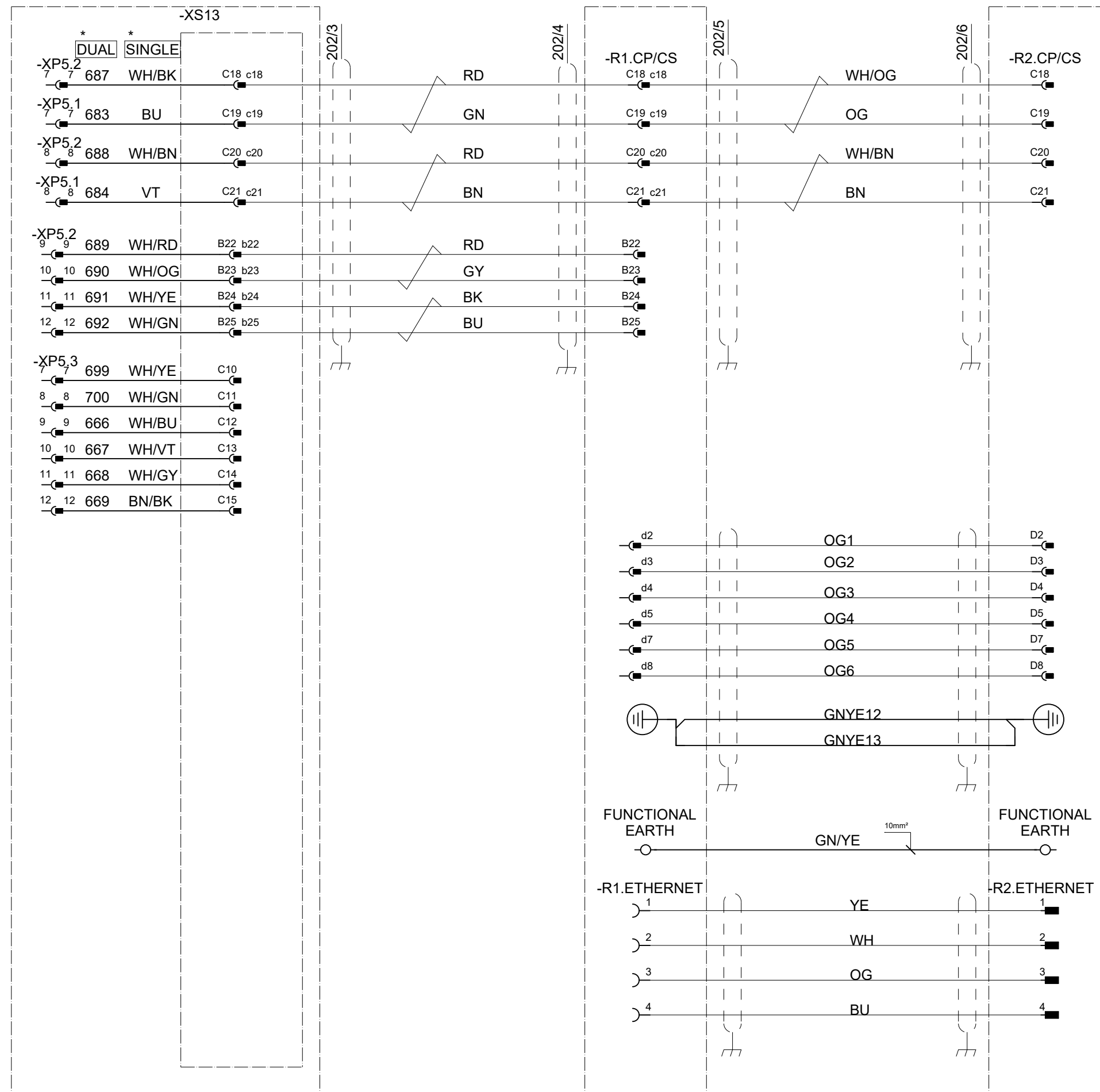
-MANIPULATORBASE

-AXIS3

LOWER ARM HARNESS
3HAC067277-001

*Circuitdiagram shows marking
on wires for both dual and
single cabinet

N.C.=Not Connected



We reserve all rights in this document and in the information contained therein. Reproduction, use or disclosure to third parties without express authority is strictly forbidden. © Copyright 2003 ABB

Latest revision: ECO 121999, WI 444847
PG 203, R1.ETHERNET: Changed to socket.
PG 203, R2.ETHERNET: Changed to pins.



Lab/Office:
RA/RDP

IRB6660 / IRC5
CUSTOMER SIGNALS, PARAMULTI
Type IRB6660-205/1.9

Status:
APPROVED
Document no.
3HAC029940-001

Plant: = DP
Location: + 205
Sublocation: + AX3

Prepared by, date: EM 220509 Approved by, date: ML, 220531

Rev. Ind Page 203
03
Total 17